

PCB Dedusting clean machine

CYK-1A050M

Introductions

- 1.In-line automatic cleaning machine, save time and labor.
- 2.Equiped two set static remove device ,completely eliminate electrostatic risk on the PCB surface.
- 3.Two lanauge display Chinese and English,easy opertion.
- 4.Draw-out design for better maintenance.
- 5.Professional design and production clean machine with many years experience , we know what customer requirement .



Brush +Sticky roller

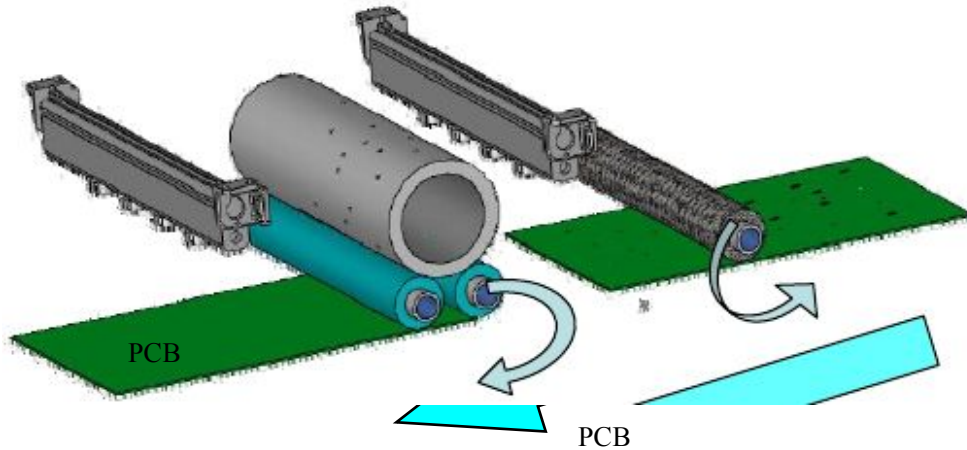
CYK-1A050M In-line PCB Surface clean machine used for PCB before priting solder paste and red glue to remove surface small chip , dust,fiber,hair,skin debris and matel particles etc other things.Eliminate PCB board static to reduce the bad printing and foreign object caused cold welding ,missing weld,camber and deflection welding, improve products quality .Greatly reduce rework and bad quailty return rate.Especially suitable for place 0402,0201etc small components and QFP,BGA,CSP precision components.

How to choose SMT PCB Clean machine , Single or Double type?

For some need SMT surface cleaning cleaning on the surface (PCB) users should choose single type or double sided PCB cleaning machine must be considered. Machine whether will have the effect of the process and quality improvement is the

most intuitive evaluation way .

Single type PCB Clean Machine :



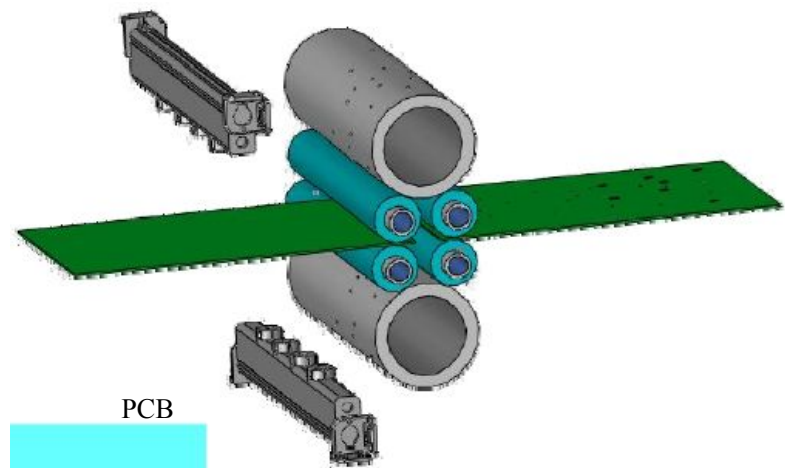
Single type working process :Cleaning PCB A side → PCB solder paste printing → Mounting → Reflow welding , PCB turnover machine → PCB B side cleaning → printing → Mounting → Reflow welding.

Features : PCB two side was cleaned before solder paste soldering

Double type PCB Cleaning Machine :

Single type working process :

- Clean PCB A B side at same time.
- Printing PCB A side solder paste
- Mounting
- Reflow soldering
- Turnover PCB B side(B side up)
- Printing
- Mounting
- Reflow Soldering



Features: Cleaning PCB two side at same time

Problem: PCB positive point in production is completed, into the back of the production process, due to put in the transfer and PCB frame (Magazine), chip PCB board through holes inside and plate edge from the hole and edge drop to lower than PCB on the back, cause two pollution, if the use double type cleaning machine, other side two pollution cannot avoid, also cannot achieve the thorough clean. The requirements for stringent SMT clean process is absolutely not allowed to exist.

Double sided type cleaning is for from PCB (non SMT surface cleaning) copper scrap preliminary cleaning of PCB surface before shipment, the green pieces came And, because of the use of special cleaning machine, PCB used in the production of simple equipment, cleaning the extensive mode, only need to look clean Effect of can, clean surface and SMT mount, to eliminate the false welding, weld, short circuit and other direct adverse, the two in the cleaning requirements and The actual cleaning effect is completely different concepts.

In contrast, from the process improvement and cleaning effect, single type in-line cleaning machine is the inevitable choice for customers.

Features :

According to the SMT production line requirements develop and design equipment.

PCB with components on the back, other side can also be clean.

Ultra-high speed antistatic spiral brush, vacuum extraction clean Method .

Special corresponding SMT printing, mount before and after AI plug-in PCB board on the back of the foreign body clean.

Equipped with the static eliminate function, completely eliminate electrostatic interference.

Touching clean method, cleanness above 99%.

Designed to clean the roller to ensure efficient, stable, lasting cleaning effect.

Mechanical parts draw-out design, maintenance is simple.

Interface display in English and Chinese, interface operation convenient and simple.

Technical Parameter

Description	Used to redirect PCBs flow into different channels
Cycle Time	Approx. 8 seconds
Power Source	230VAC 1ph 150VA max.(Option:100VAC)
PCB Thickness	0.6mm min.
Conveyor Type	Flat Belt
Conveyor Speed	0.5-20m/min or specify
Conveyor Deliver high	880-930MM

Specification Parameter

Model	Siz	Dimension(L x W x H)	Effective PCB Size(L x	Approximate
CYK-1A055M	M	550x650x1350	50x50-250X330	170
CYK-1A055L	L	550x680x1200	50x50-330x450	185
CYK-1A055LL	LL	550X780x1200	50x50-390X530	220
CYJ-1A055XL	XL	550x850x1200	50x50-460X530	260